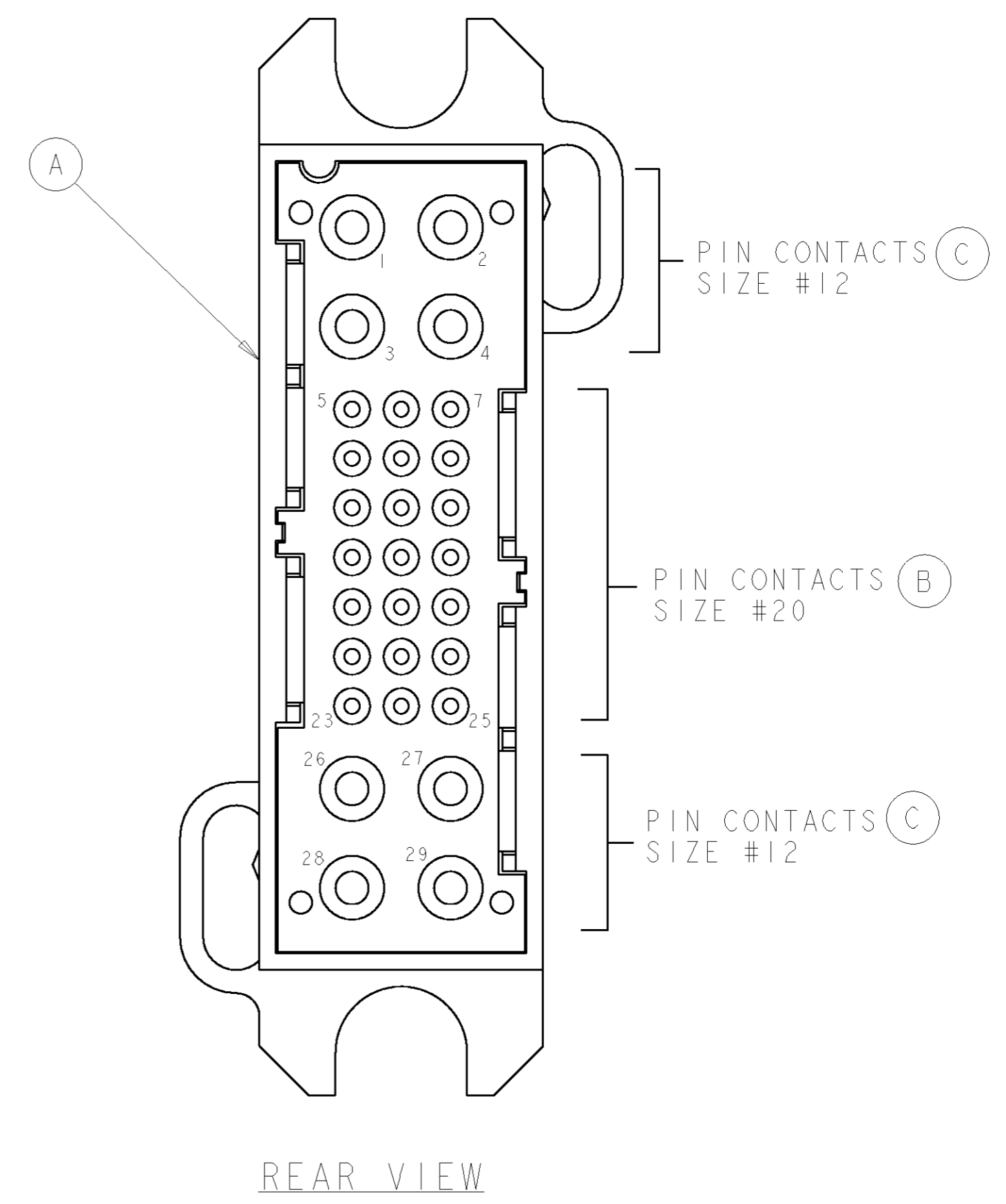
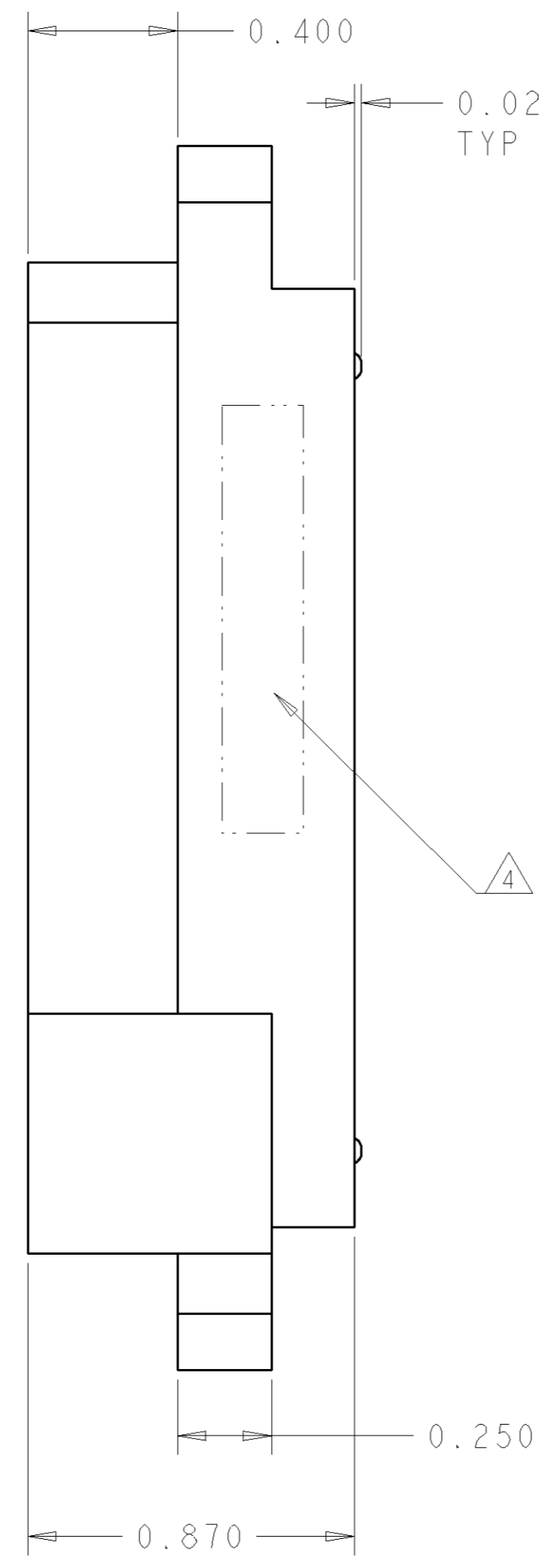
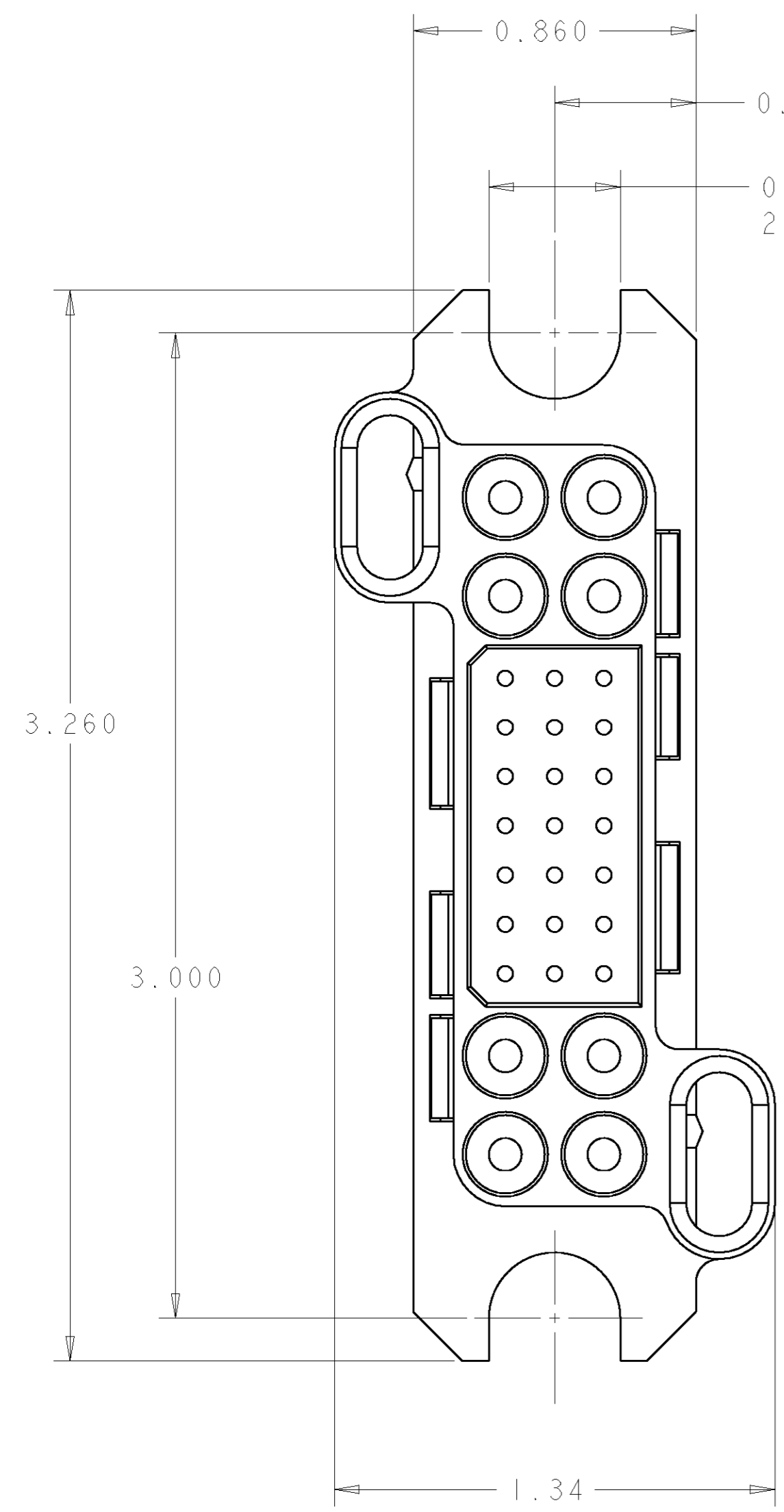


THIS DRAWING IS UNPUBLISHED. RELEASED FOR PUBLICATION 20  
 © COPYRIGHT 20 BY TYCO ELECTRONICS CORPORATION. ALL RIGHTS RESERVED.

LOC	DIST	REVISIONS					
GP	00	P	LTR	DESCRIPTION	DATE	DWN	APVD
			A	NEW RELEASE	03AUG2007	RG	PD



**ELCON LOWER DRAWER**

AS SHOWN	1926573-1
DESCRIPTION	PART NUMBER

<small>THIS DRAWING IS A CONTROLLED DOCUMENT FOR TYCO ELECTRONICS CORPORATION          IT IS SUBJECT TO CHANGE AND THE CONTROLLING ENGINEERING ORGANIZATION          SHOULD BE CONTACTED FOR THE LATEST REVISION.</small>		DWN R. GRZYBOWSKI 31 JULY 07 CHK D. ORRIS 31 JULY 07 APVD S. FLICKINGER 31 JULY 07	Tyco Electronics Harrisburg, PA 17105-3608
DIMENSIONS: INCHES 	TOLERANCES UNLESS OTHERWISE SPECIFIED: 0 PLC ± 1 PLC ± 2 PLC ±.02 3 PLC ±.010 4 PLC ± ANGLES ±.5 FINISH	PRODUCT SPEC - APPLICATION SPEC - WEIGHT -	NAME <b>CONNECTOR ASSEMBLY, PIN          CRIMP          LOWER DRAWER</b> SIZE CAGE CODE DRAWING NO RESTRICTED TO A200779G-1926573 -
MATERIAL -	FINISH -	CUSTOMER DRAWING	SCALE 3:1 SHEET 1 OF 2 REV A

