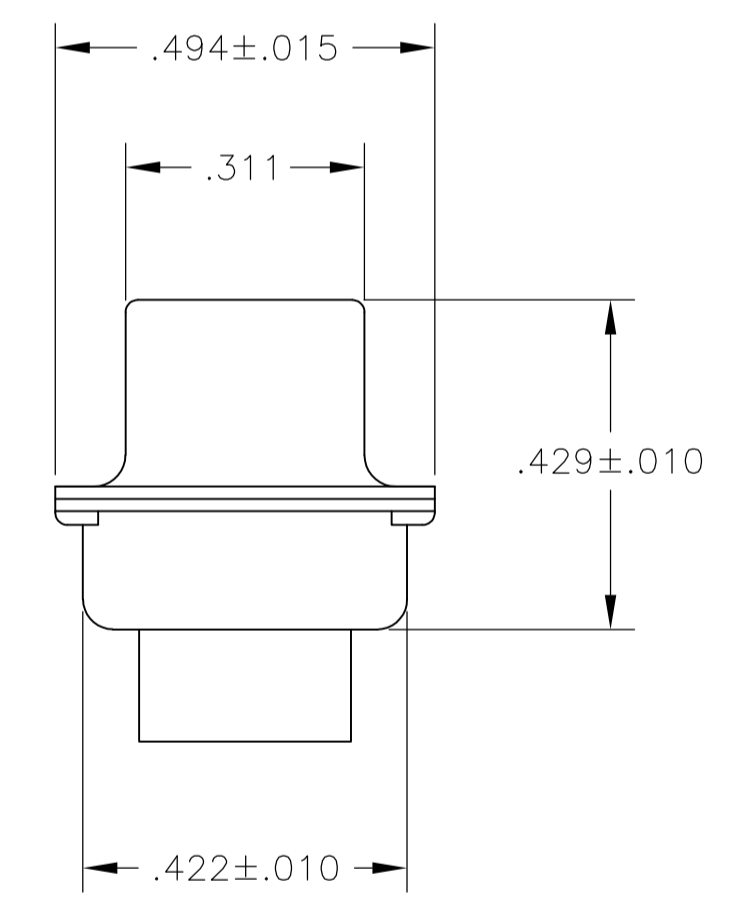
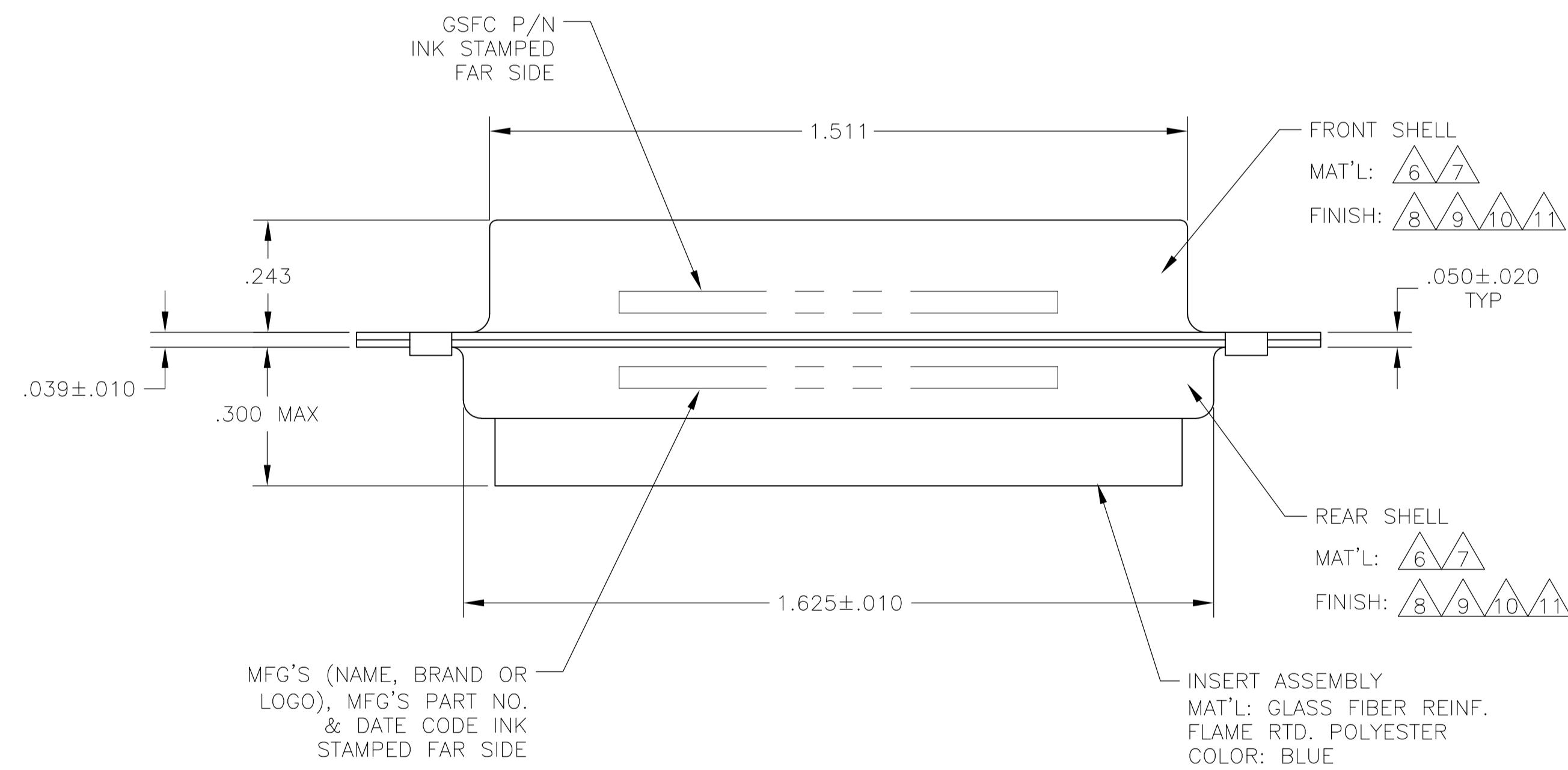
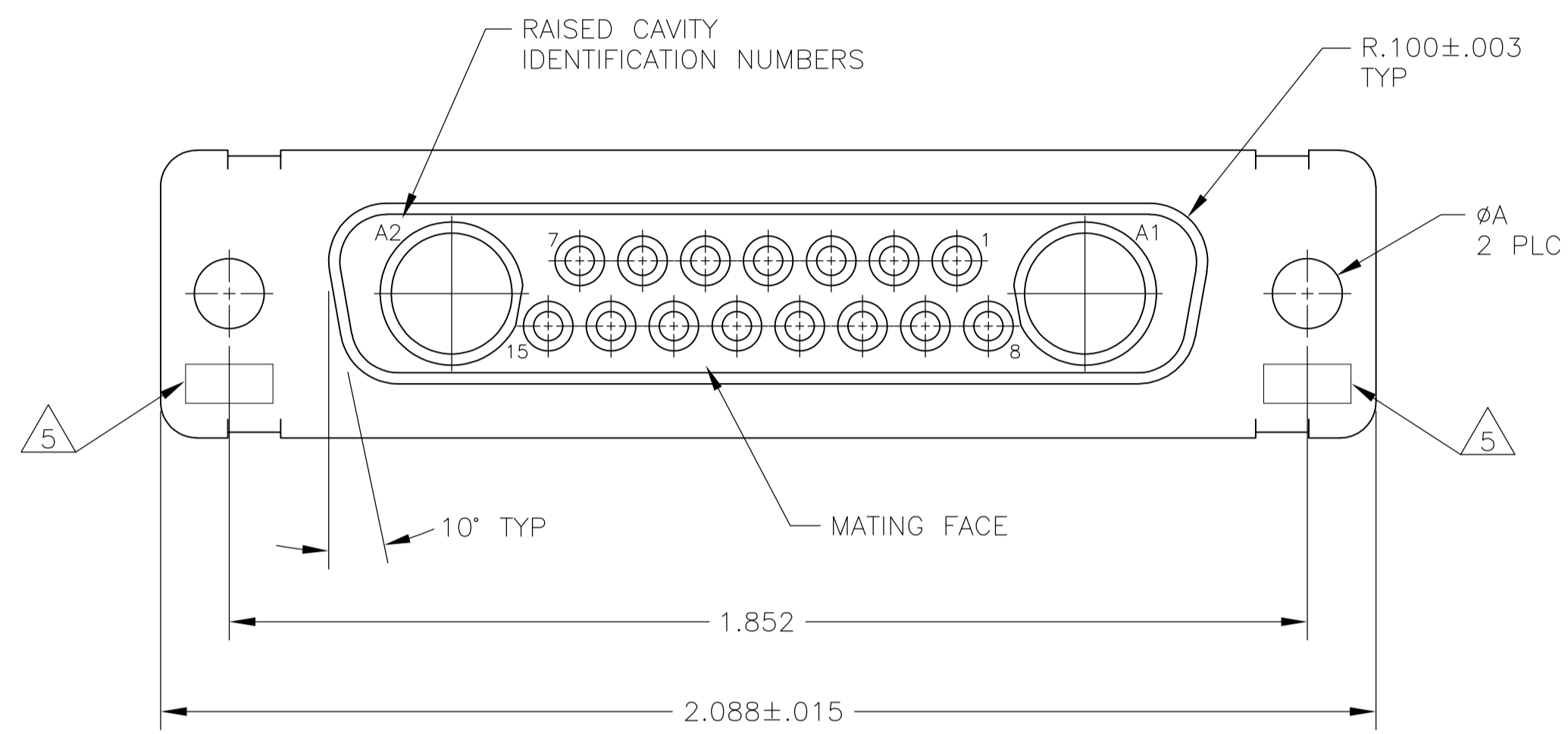


LOC		DIST		REVISIONS			
DF	DO	REV	DATE	DESCRIPTION	DATE	BY	APPV
M		1	16MAR12	REVISED PER ECO-112-004104		PY	RL

- THIS RECEPTACLE WILL MATE WITH ANY 17C2, SIZE 3 PLUG IN AMPLIMITE SERIES.
  - MAXIMUM WIRE INSULATION TO BE USED WITH THIS RECEPTACLE IS  $\phi.068$ .
  - THIS CONNECTOR ACCEPTS (2) POWER 8, OR COAX SOCKET CONTACTS IN POSITIONS A1 THRU A2, PURCHASED SEPARATELY.
  - THIS CONNECTOR ACCEPTS SIZE 20 SOCKET SIGNAL CONTACTS IN POSITIONS 1 THRU 15, PURCHASED SEPARATELY.
- $\triangle 5$  UL/CSA DESIGNATION STAMPED IN THIS AREA, OPTIONAL.  
 $\triangle 6$  STEEL PER ASTM-A-109.  
 $\triangle 7$  BRASS PER MIL-C-50 AND ASTM-B-36 UNS NO. C26000.  
 $\triangle 8$  FINISH: CADMIUM PLATED PER QQ-P-416.  
 $\triangle 9$  GOLD PLATED PER MIL-G-45204 TYPE II, GRADE C, CLASS 1 OVER COPPER PER MIL-C-14550, CLASS IV.  
 $\triangle 10$  FINISH: TIN PER ASTM-B-545 .000400 MIN THK OVER COPPER PER AMS2418 .000050 MIN THK.  
 $\triangle 11$  FINISH: ZINC PLATE PER ASTM-B-633 .000200-.000400 THK WITH SUPPLEMENTARY CHROMATE (Cr3+).



PRELIMINARY NOT RELEASED FOR PRODUCTION

REMARKS	$\phi A$	GSFC P/N	PART NO.
$\triangle 6 \triangle 11$	.120	-	5-212510-1
$\triangle 6 \triangle 10$	.120	-	5-212510-4
$\triangle 6 \triangle 10$	.120	-	212510-5
$\triangle 6 \triangle 10$	.120	-	212510-4
$\triangle 7 \triangle 9$	.154	311P405-13S-B-15	212510-3
$\triangle 7 \triangle 9$	.120	311P405-13S-B-12	212510-2
$\triangle 6 \triangle 8$	.120	-	212510-1

THIS DRAWING IS A CONTROLLED DOCUMENT.

DIMENSIONS: INCHES  
 TOLERANCES UNLESS OTHERWISE SPECIFIED:  
 0 PLC ± -  
 1 PLC ± -  
 2 PLC ± -  
 3 PLC ± .005(0.13)  
 4 PLC ± -  
 ANGLES ±  $\sigma 30'$

MATERIAL: -  
 FINISH: -

THIS DRAWING IS A CONTROLLED DOCUMENT.  
 DWG: C.C.THOMAS 26JAN88  
 CHK: A.FMADI 02FEB88  
 APVD: A.FMADI 02FEB88  
 NAME: RECEPTACLE ASSEMBLY  
 PRODUCT SPEC: AMPLIMITE 17C2  
 APPLICATION SPEC: SIZE 3, SERIES 109, COAX MIX  
 SIZE: A1  
 CAGE CODE: 00779  
 DRAWING NO: 212510  
 WEIGHT: -  
 CUSTOMER DRAWING: -  
 SCALE: 4:1  
 SHEET: 1 OF 1  
 REV: M

**STE** TE Connectivity